

## DH-SD6C23C/23E/36E/70-H

---

Cost-effective IR PTZ High Speed Dome Camera



### Key Features

- Powerful 23x/36x optical zoom
- High resolution@700TVL/650TVL/540TVL
- DWDR, Day/Night (ICR), DNR (2D&3D), Auto iris, Auto focus
- Max 240°/s pan speed, 360° continuous pan rotation
- Up to 255 presets, 5 auto scan, 8 tour, 5 pattern
- IP66, IR distance up to 100m

## DH-SD6C23C/23E/36E/70-H

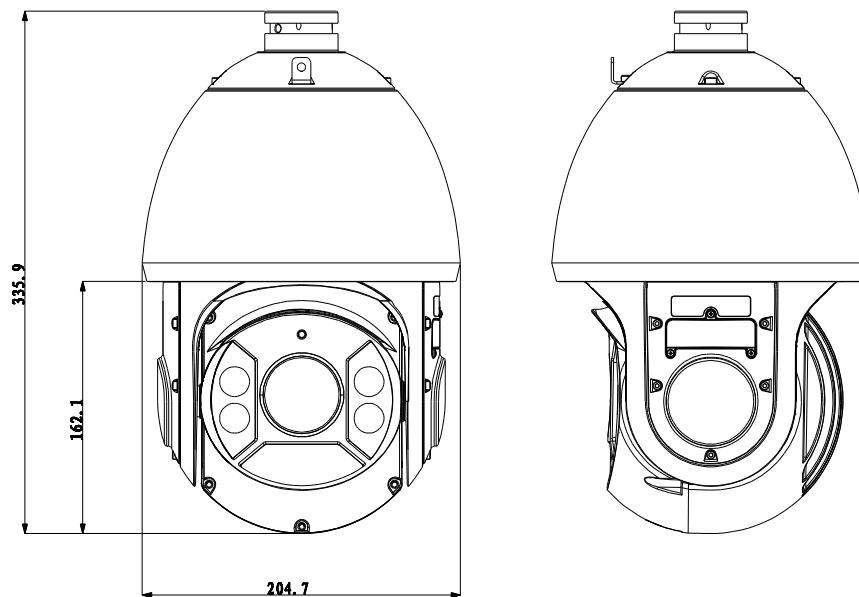
### Technical Specifications:

Model	SD6C23C-H	SD6C23E-H	SD6C36E-H	SD6C70-H
<b>Camera</b>				
Image Sensor	1/4"CMOS	1/4" EXview HAD CCD II		1/3" EXview HAD CCD II
Effective Pixels	640(H) × 480(V)	976(H) × 582(V) / 976(H) × 494(V)		
Horizontal Resolution	Color: 540TVL	Color: 650TVL		Color: 700TVL
Scanning System	Progressive	Interlacing		
Electronic Shutter Speed	1/50(60)s~1/100,000s	1/1s ~1/100,000s		
Min. Illumination	Color:0.5Lux/F1.6 B/W: 0Lux(IR on)	Color: 0.01 Lux/F1.6 B/W: 0Lux(IR on)		Color: 0.001Lux/F1.6 B/W: 0Lux(IR on)
S/N Ratio	More than 50dB			
Video Output	BNC(1.0Vp-p/75Ω), PAL / NTSC			
<b>Camera Features</b>				
Day/Night	Auto(ICR) / Color / B/W			
Backlight Compensation	BLC	BLC / HLC / DWDR (Digital WDR)		
White Balance	Auto, ATW, Indoor, Outdoor, Manual			
Gain Control	Auto / Manual			
Noise Reduction	2D	2D / 3D		
Privacy Masking	N.A.	Up to 24 areas		
Digital Zoom	N.A.	16x		
<b>Lens</b>				
Focal Length	3.9 mm~89.7mm; 23x Optical zoom	3.9mm~89.7mm; 23x Optical zoom	3.4mm~122.4mm; 36x Optical zoom	3.9mm ~ 89.7mm; 23x Optical zoom
Max Aperture	F1.6~ F3.7	F1.6~ F3.7	F1.6~F4.5	F1.6~ F2.7
Focus Control	Auto / Manual			
Angle of View	H: 53.5° ~2.6°	H: 50.7° ~ 2.5°	H: 57.8°~1.7°	H: 57.6°~ 3.1°
Close Focus Distance	100mm~1000mm	10mm~1000mm		
<b>PTZ</b>				
Pan/Tilt Range	Pan: 0° ~ 360° endless; Tilt: -15° ~ 90°, auto flip 180°			
Manual Control Speed	Pan: 0.1° ~ 160°/s; Tilt: 0.1° ~120°/s			
Preset Speed	Pan: 240°/s; Tilt:200°/s			
Preset	80(DH-SD) , 255(Pelco-P/D)			
PTZ Mode	5 Pattern, 8 Tour, Auto Pan, Auto Scan			
Speed Setup	Human-oriented focal length/ speed adaptation			
Power up Action	Auto restore to previous PTZ and lens status after power failure			

## DH-SD6C23C/23E/36E/70-H

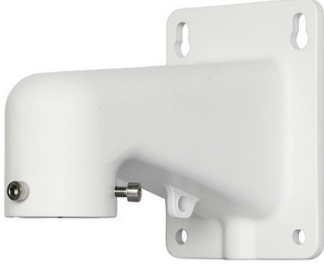
Idle Motion	Activate Preset/Pan/Scan/Tour/Pattern if there is no command in the specified period
Protocol	DH-SD, Pelco-P/D (Auto recognition)
IR Distance	100m(4 near IR LED+2 far IR LED)
<b>Auxiliary Interface</b>	
RS485	1 port
<b>General</b>	
Power Supply	AC24V/3A ( $\pm 10\%$ ), DC12V optional
Power Consumption	15W, 28W(IR on, Heater on)
Working Environment	-40°C ~ 60°C / Less than 90% RH
Ingress Protection	IP66
Dimensions	$\Phi 204.7(\text{mm}) \times 335.9(\text{mm})$
Weight	5.0kg

### Dimensions (mm)



## DH-SD6C23C/23E/36E/70-H

### Accessories

	
DH-64FB	Power Supply

### Accessories (Optional)

						
C7 Adapter	DH-64FD	DH-64FD200	DH-987FS	PFA120	DH-65FQ	DH-65FW

---

### **Dahua Technology Co., Ltd.**

1187 BinAn Road, Binjiang District, Hangzhou, China

Tel: +86-571-87688883

Fax: +86-571-87688815

Email: [overseas@dahuatech.com](mailto:overseas@dahuatech.com)

[www.dahuasecurity.com](http://www.dahuasecurity.com)

\*Design and specifications are subject to change without notice.

© 2013 Dahua Technology